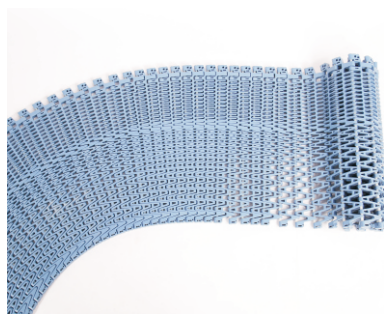
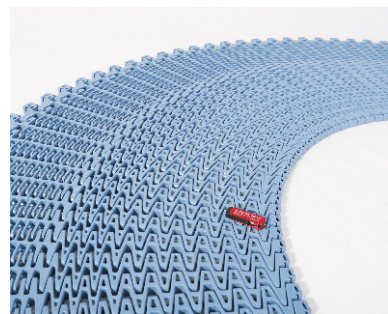
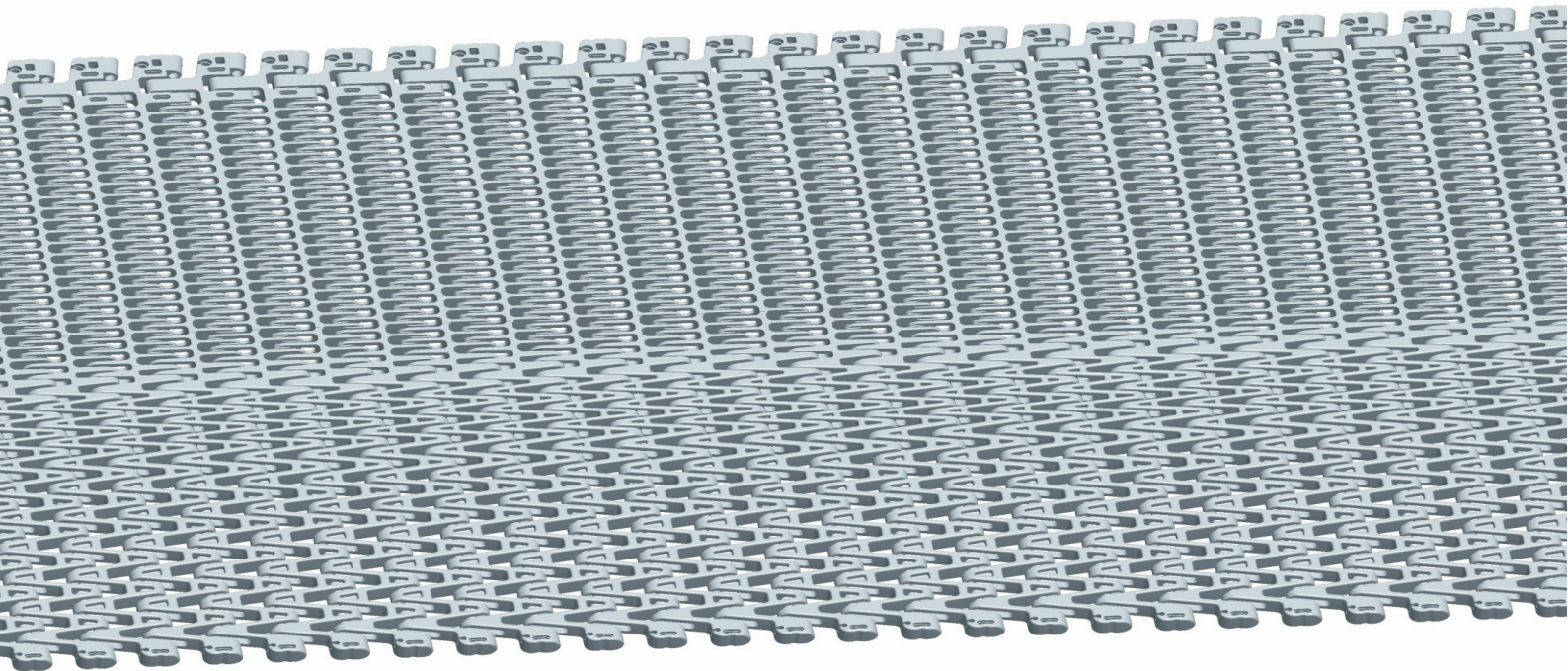


HS-1900B Technical Data Sheet



Pitch: 50.8mm Minimum Width: 507mm Open Area: 55% Approved: FDA Rod: Ø6.2mm Flight: No Side Guard: No Curve: Yes		
---	--	--

Data

Belt Material	Belt Strength				Temperature		Belt Weight
	Straight		Curve		°C (min.)	°C (max.)	(Kg/M ²)
	Kg/M(BW)	N/M(BW)	Kg/M(BW)	N/M(BW)			
Polypropylene	1780	17800	178	1780	1	100	5.2
Polyethylene	1480	14800	148	1480	-60	60	5.5
Acetal	2200	22000	220	2200	-40	80	7.6

BW – Belt Width

Color Table

Polypropylene					Polyethylene					Acetal					Nylon				
W	G	N	DB	B	W	G	N	DB	B	W	G	N	DB	B	W	G	N	DB	B
●	●						●			●			●	●					

W-White, G-Gray, N-Nature, DB-Darkbrown, B-Blue

Friction Table

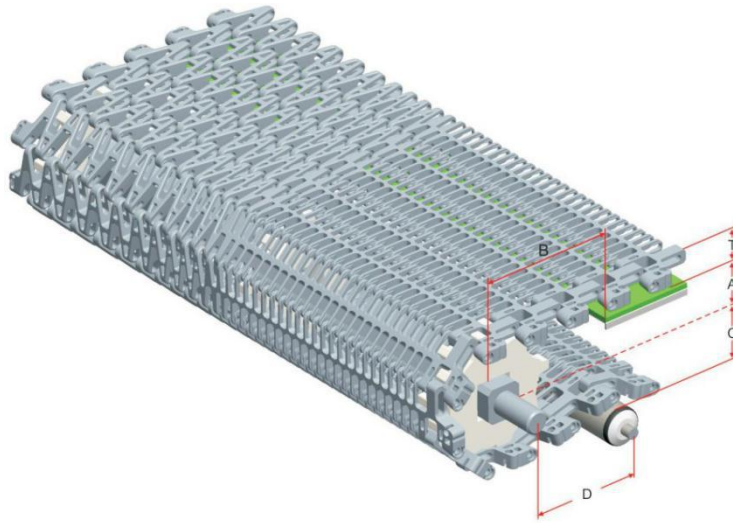
Belt Material	Friction Wear strips & Products							
	UHMW	HDPE	Steel	Glass	SUS	Plastic	Cardboard	Aluminum
Polypropylene	0.32	0.24	0.15	0.09	0.13	0.08	0.15	0.25
Polyethylene	0.13	0.11	0.26	0.19	0.31	0.16	0.21	0.41
Acetal	0.11	0.09	0.27	0.16	0.26	0.15	0.19	0.28
Nylon	0.18	0.13	0.25	0.16	0.26	0.16	0.19	0.27

SUS – Stainless Steel

Equivalent type with other Brand

Brand Name	Intralox	UNI	Rexnord	MCC	Habasit	KVP
Series & Type	—	—	—	—	—	—

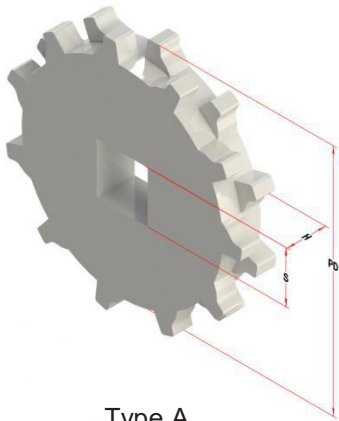
The above content is only for reference.



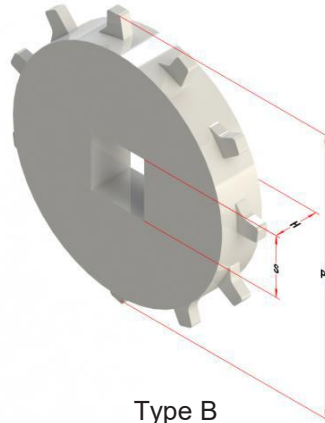
Conveyor Frame Dimensions

Unit : mm

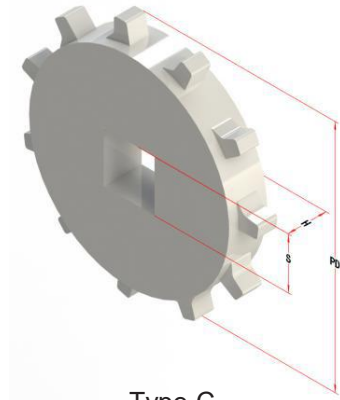
No. Teeth	A (Min.)	B (Min.)	C (Max.)	D (Min.)	T
8	58.75	76.35	55.15	250	15.2
10	76.9	94.5	73.3	250	
11	85.5	103.1	81.9	250	
13	102.9	120.5	99.3	300	



Type A



Type B



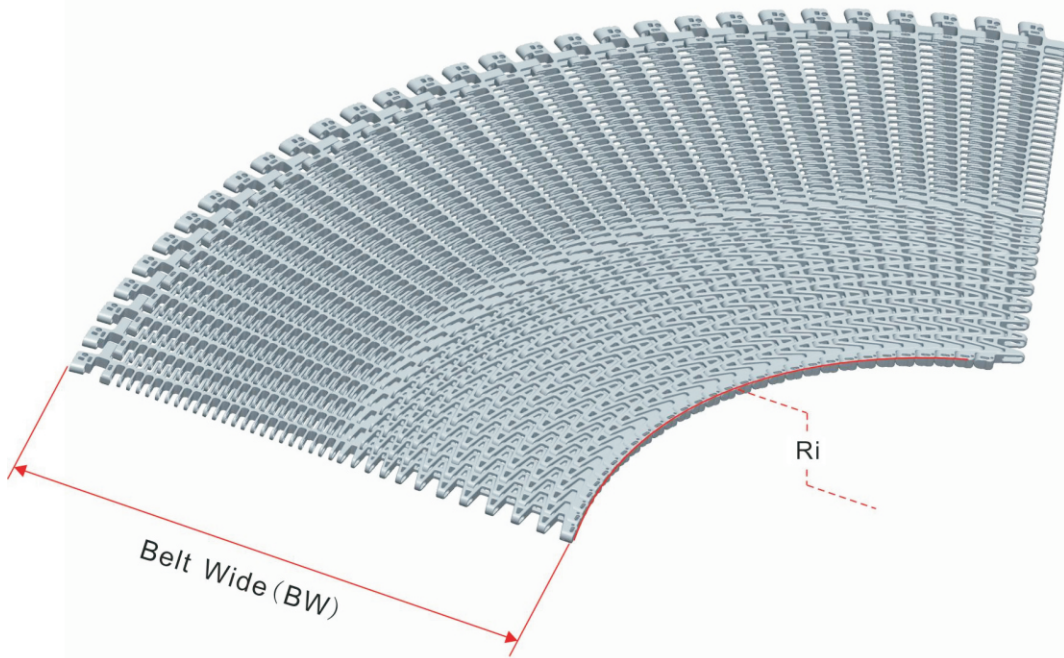
Type C

Sprocket Dimensions

Unit: mm

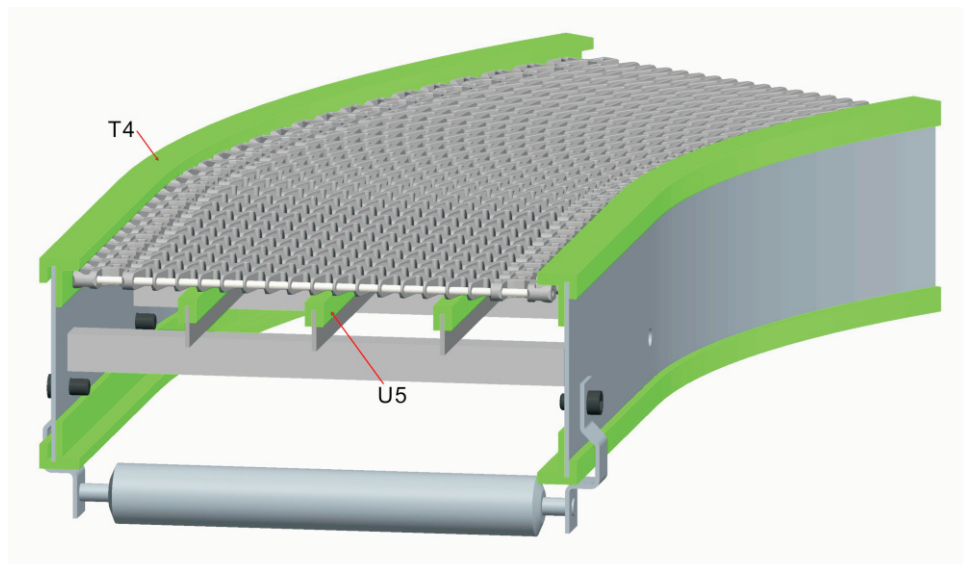
No. Teeth	PD	S	D	H	K
8	132.7	40.5	--	30	--
10	169	40.2	--	30	--
11	186.2	40.2	--	30	--
13	221	40.2	--	30	--

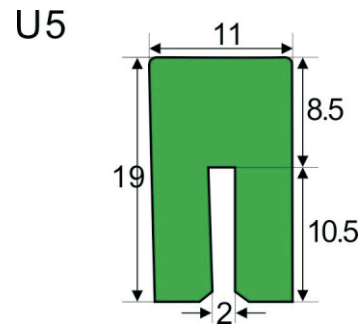
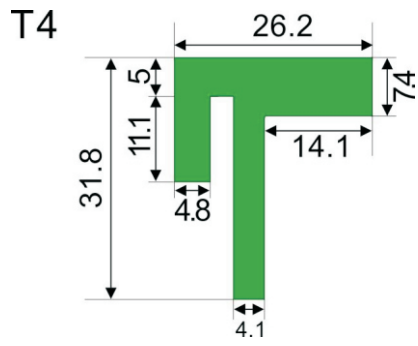
Design Guide Summary



- ⌘ The minimum turning radius (inside) is 1.1 times of belt width under all feasible belt Width, 1.3 times of belt width is the most optimal.
- ⌘ The minimum straight run section near driving shaft and idling shaft of Radius belt must be 2 times of the belt width in length.
- ⌘ The minimum straight run section between two turns of opposing direction must be 2 times of the belt width in Length.ss

Guide Rail & Wear Strips





⌘ We have different kinds of guide rail and wear strips for your choice; for more information, please consult our sales team.

